

**UL RECOGNIZED MEGA® FUSE RATED 32V**



**Specifications**

Interrupting Rating:	2000A @ 32 VDC
Voltage Rating:	32 VDC
Operating Temperature Range:	-40°C to + 125°C
Terminals:	0298xxx.ZXEH-UL: Copper M8 bolts holes
Mounting Torque:	12-18 Nm M8

**Ordering Information**

Part Number	Package Size
0298xxx.ZXEH-UL	500

**Description**

The MEGA® Fuse is designed for high current circuit protection with “Diffusion Pill Technology.” The MEGA® Fuse also provides time delay characteristics. Designed and patented by Littelfuse, the MEGA® Fuse is ideal for battery and alternator protection application and other heavy gauge cables requiring ultra-high current protection.

**Time-Current Characteristics**

% of Rating	Opening Time Min / Max (s)
	80A-175A
75	- / -
100	14,400 s / -
135	120 s / 1800 s
200	1 s / 15 s
350	0.300 s / 5 s
500	- / -
600	0.100 s / 1 s

**Ratings**

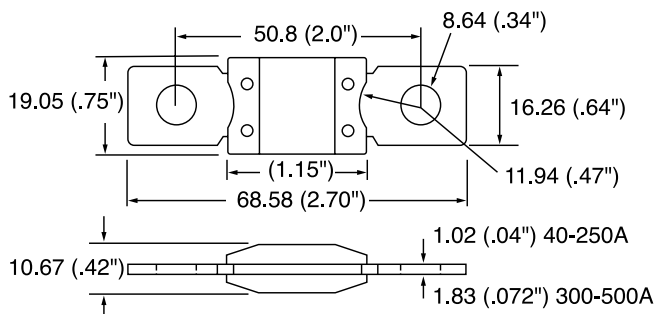
Part Number	Current Rating	Typ. Voltage Drop	I <sup>2</sup> t
0298080.ZXEH-UL	80 A	87 mV	-
0298100.ZXEH-UL	100 A	87 mV	31100 A <sup>2</sup> s
0298125.ZXEH-UL	125 A	80 mV	57800 A <sup>2</sup> s
0298150.ZXEH-UL	150 A	92 mV	100000 A <sup>2</sup> s
0298175.ZXEH-UL	175 A	62 mV	168000 A <sup>2</sup> s

## UL RECOGNIZED MEGA<sup>®</sup> FUSE RATED 32V

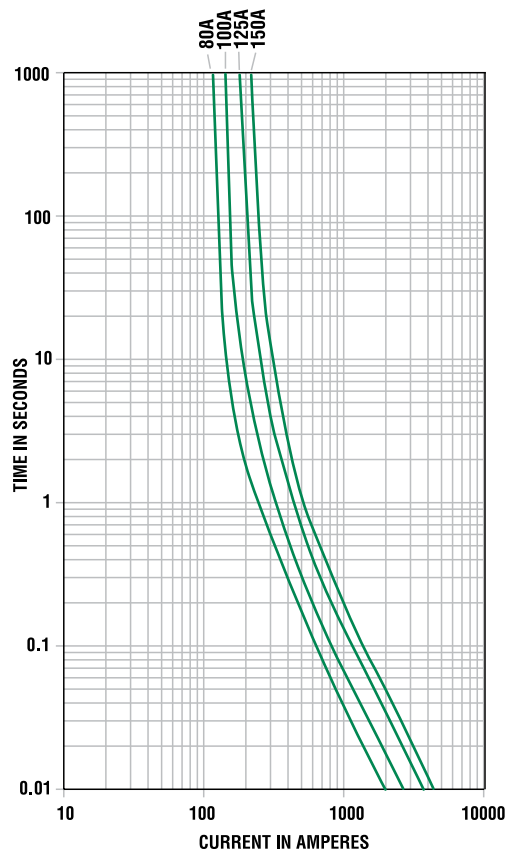


### Dimensions

Dimensions in mm



### Time-Current Characteristic Curves



### Temperature Rerating Curve

